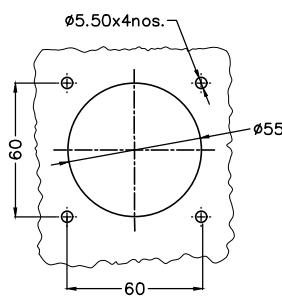
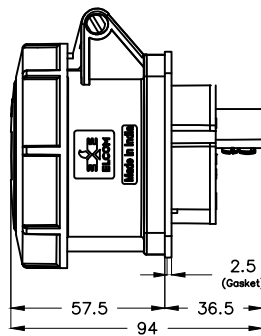
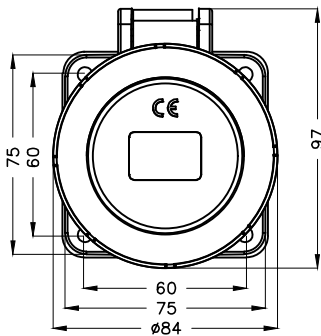


16A Straight Socket - 5Pin_200V/346V-250V/415V_6h_IP67

BASIC DIMENSIONS

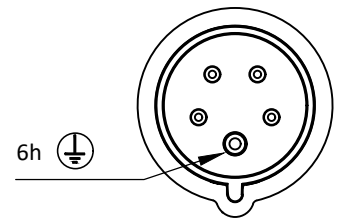
PANEL CUTOUT



PRODUCT OVERVIEW

- IP67
- High impact & heat resistant Polyamide material
- Color coding as per Voltage
- Terminal with Double Screws, zinc plated
- Glow wire Index: 850° C
- UL-94 V-2 Flame retardant material

PINS POSITION



PRODUCT SPECIFICATION

SR.NO.	PARAMETER	SPECIFICATION
1	Panel Mount Straight Socket Type	16A, 5 Pin (3P+ N+ E)
2	V/A Rating	16A, 200V/346V-250V/415V AC, 50 - 60Hz
3	Insulation Resistance At 500 V DC	100 M ohms min.
4	H.V.Break Down Test (For 1-Minute)	2 KV AC
5	Terminals	Screw-type
6	Applicable Cable Sizes	1.5 - 2.5 Sq. mm
7	Earth Position	6h
8	Plug Angle	Straight
9	Permissible Temp.	a. With/Without Load -25°C TO +90°C
10	Material	a. Body Polyamide , V2
		b. Terminals Copper Alloy
		c. Terminal screws MS, Zinc Plated
11	Torque	a. Tightening Torque for Screw 0.9 Nm Max.
12	IP Protection type	IP44
13	Reference Standard	IEC 60309-1, IEC 60309-2, UL-1686
14	Compliance Marking	CE, RoHS Complied
15	Weight	233 gm (Approximate)

					PRODUCT :- Industrial Panel Mount Straight Socket				CODE : 1577	
					APP	29.01.2024	GJG			Plot E-4, Kagal Five Star MIDC, Kagal, Kolhapur, MH - 416236, India Elcom International Pvt. Ltd. www.elcom-in.com
					CHK	29.01.2024	SRK			
D1	Datasheet Updated		08.09.23	SRK	VAS	DRN	29.01.2024	SRK		
REV	IS	WAS	DATE	SIGN	APP	BY	DATE	SIGN		
UNSP.TOLERANCE		DIMNS. IN	WT(Gm)	SCALE:-	PROJECTION	SHEET	DRAWING NUMBER			REVISION
OVER	-	1	10	mm	Max.	NTS.	0 0 0 0 0 0 1 5 7 7			R0
UP TO	1	10	-	Moulding, plating details as per Bill of Material Unspecified colour is Black, GF:Glass filled.			1	OF	1	
±	0.3	0.5	1.0							