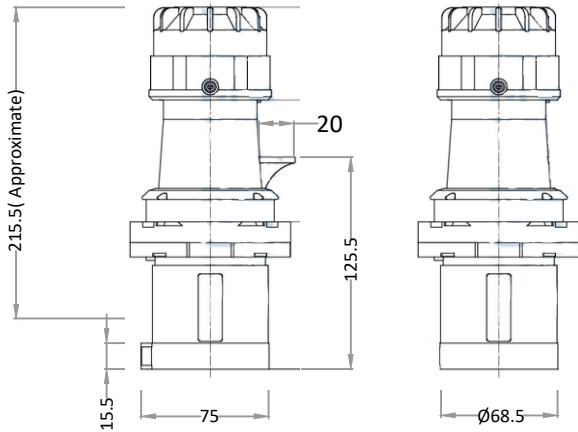


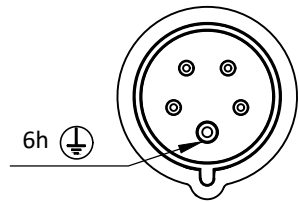
63A Industrial Plug - 5 Pin_200V/346V-240V/415V_6h_IP44



PRODUCT OVERVIEW

- IP44
- High impact & heat resistant Polyamide Material
- Color coding as per Voltage
- Nickel plated Terminal with Double Screws
- Cable gland for external cable grip

PINS POSITION



PRODUCT SPECIFICATION

SR. NO.	PARAMETER		SPECIFICATION
1	Industrial Plug Type		63A, 5 Pin (3P + N + E)
2	V/A Rating		63A, 200V/346V - 240V/415V AC, 50-60Hz
3	Insulation Resistance At 500 V DC		100 M ohms min.
4	H.V.Break Down Test (For 1 Minute)		2.5 KV AC
5	Terminals		Screw Type
6	Applicable Cable Size		10 - 16 sqmm
7	Earth Position		6h
8	Plug Angle		Straight
9	Permissible Temperature		-20°C to+80°C
10	Material	Body	Polyamide
		Terminals	Brass, Nickel Plated
		Terminal Screw	MS, Zinc Plated
11	IP Protection Type		IP 44
12	Reference Standard		IEC/EN 60309-1,IEC/EN 60309-2,UL-1686
13	Compliance Marking		CE
14	Weight		575 gms (Approximate)

						PRODUCT :- Industrial Plug			CODE : 6542					
						APP	06-02-2024	GJG	Plot E-4, Kagal Five Star MIDC, Kagal, Kolhapur, MH - 416236, India Elcom International Pvt. Ltd. www.elcom-in.com					
						CHK	06-02-2024	SRK						
						DRN	06-02-2024	RLP						
REV	IS	WAS	DATE	SIGN	APP	BY	DATE	SIGN						
UNSP.TOLERANCE				DIMNS. IN mm	WT(Gm) Max.	SCALE:- NTS.	PROJECTION 	SHEET 1 OF 1	DRAWING NUMBER					
OVER	-	1	10						0 0 0 0 0 6 5 4 2					
UP TO	1	10	-						REVISION R0					
±	0.3	0.5	1.0											

F:ENG-08.00

Copyright © 2024 by Elcom International Pvt.Ltd, India. All rights reserved

Note: Technical specifications are subject to change without prior notice

For Disposal of Product /Packing please refer note available on www.elcom-in.com