



Power Distribution Unit

Product code/Part code: E01-D18YC

Specification sheet:

Input

• Voltage:	1 Φ ,250VAC
• Frequency:	50Hz/60Hz (as per supply input)
• Power in plug type	63A 3 pin Industrial plug IP44(2P+E)
• Power cord :	FRLS,16 sq.mm, 3 core, 3 meter with 63A 3 pin rewirable industrial plug IP44(2P+E)
• Input current:	63A

Output

• Voltage:	1 Φ ,250VAC
• Frequency:	50Hz/60Hz (as per supply input)
• Power out socket type:	IEC-C13 & IEC-C19 outlet
• Current operating range:	63A

Features

- Rack-mountable
- 0U Vertical mounting
- Single input power source
- Protection with single pole 63A “D” curve MCB with safety guard
- With Green LED indicator
- Internal wiring with Uni-nyvin cable
- With digital ammeter
- Total no. of outlets : 18 nos[IEC-C13 lockable outlet =12nos & IEC-C19 lockable outlet =6nos]
- With mounting bracket spare =2nos.
- With external earthing provision.
- Reference standard :- IEC 62368-1

Mechanical

- Dimensions(L x W x H): (1100 x 65 x 60)mm
- Weight:approx. 4.7Kg
- Mounting : 1075mm
- Button mount: 950mm
- Colour: RAL 9005
- Finish: Texture

Environmental requirements

- Operating temperature: 0 -45°C (Extended up to 60°C)
- Humidity: 0 – 95 % RH non-condensing

Compliance marking

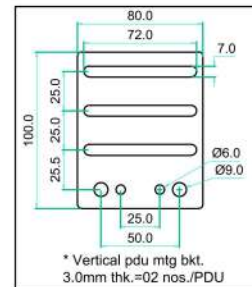
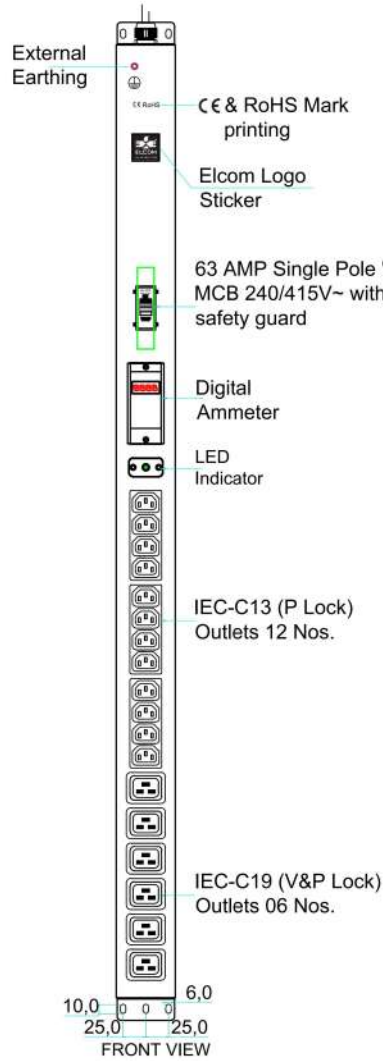
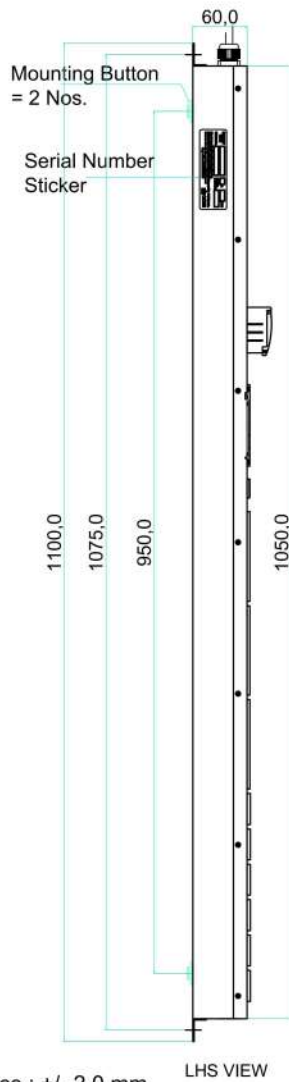
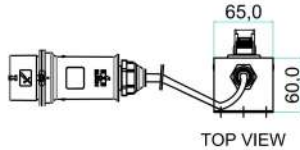
- CE
- RoHS

Product drawing :


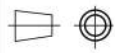
PRODUCT CODE : E01-D18YC	CATEGORY : BASIC PDU
--------------------------	----------------------

BASIC DIMENSIONS

- * Power cord FRLS 16.0 Sq.mm 3 core 3.0 mtr with 63A industrial plug IP44 (2P+E)
- * Vertical PDU Rack Mounting.



* General tolerance : +/- 2.0 mm

APP	14.12.24	JDP	 Plot E-4, Kagal Five Star MIDC, Kagal, Kolhapur, MH - 416236, India Elcom International Pvt. Ltd.							
CHK	14.12.24	PHB								
DRN	14.12.24	DMD								
REV	IS	WAS	DATE	SIGN	APP.	BY	DATE	SIGN		
UNSP.TOLERANCE		DIMNS. IN	WT(Gm)	SCALE:-	PROJECTION	SHEET	DRAWING NUMBER			
OVER	-	1	10	mm	Max.	NTS.	 1 OF 1	REVISION		
UP TO	1	10	-	Powder coating : Ral 9005 Texture(Black)				D0		
±	0.2	0.3	0.5							

F:ENG-08.00

Note: Technical specifications are subject to change without prior notice

Copyright © 2024 by Elcom International Pvt.Ltd, India. All rights reserved