



Power Distribution Unit

Product code/Part code: E03-D24YC

Specification sheet:

Input

| | |
|----------------------|--|
| • Voltage: | 3 Φ , 250 VAC (P-N) 440 VAC (P-P) |
| • Frequency: | 50Hz/60Hz (as per supply input) |
| • Power in plug type | 63A 5 pin Industrial plug IP44(3P+N+E) |
| • Power cord : | FRLS, 16 sq.mm, 5 core, 3 meter with 63A 5 pin rewirable industrial plug IP44(3P+N+E) |
| • Input current: | 63A |

Output

| | |
|----------------------------|---------------------------------|
| • Voltage: | 1 Φ , 250VAC |
| • Frequency: | 50Hz/60Hz (as per supply input) |
| • Power out socket type: | IEC-C13 & IEC-C19 outlet |
| • Current operating range: | 63A per phase |

Features

- Rack-mountable
- 0U Vertical mounting
- Single input power source
- Protection with per phase single pole 63A “D” curve MCB with safety guard
- With per MCB Green LED indicator
- Internal wiring with Uni-nyvin cable
- Total no. of outlets : 24 nos[IEC-C13 lockable outlet =6nos/Phase & IEC-C19 lockable outlet =2nos./Phase]
- With digital ammeter
- With mounting bracket spare =2nos.
- With external earthing provision.
- Reference standard :- IEC 62368-1

Mechanical

- Dimensions(L x W x H): (1700 x 65 x 60)mm
- Weight:approx.7.8 Kg
- Mounting : 1675mm
- Button mount: 1150mm
- Colour: RAL 9005
- Finish: Texture

Environmental requirements

- Operating temperature: 0 -45°C (Extended up to 60°C)
- Humidity: 0 – 95 % RH non-condensing

Compliance marking

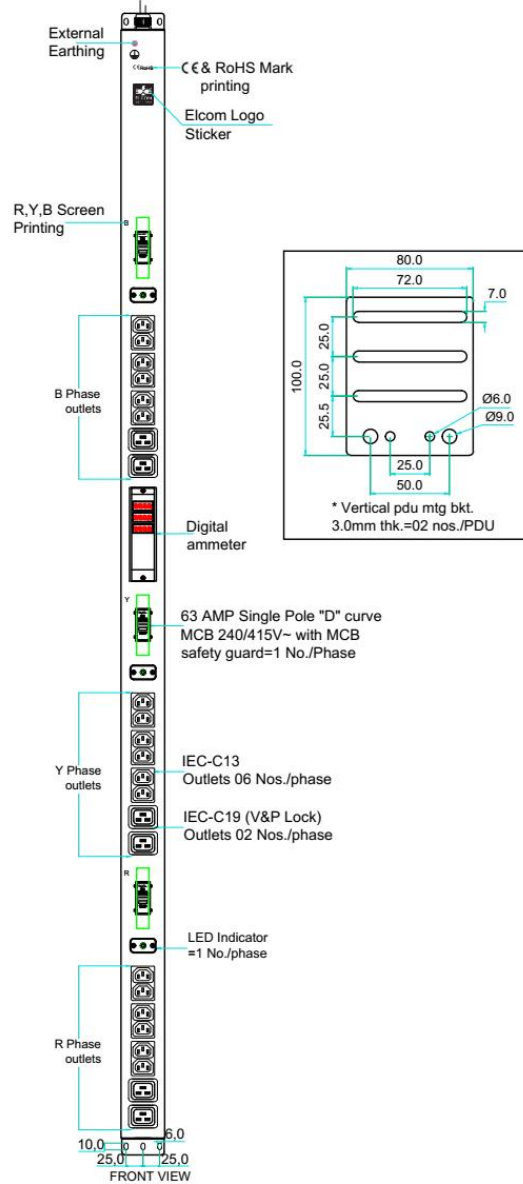
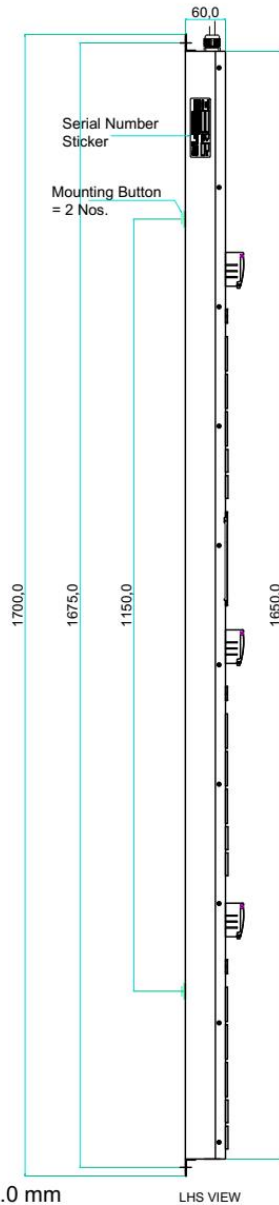
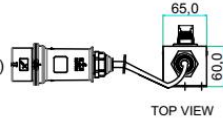
- CE
- RoHS

Product drawing :


| | | | |
|----------------|-----------|------------|-----------|
| PRODUCT CODE : | E03-D24YC | CATEGORY : | BASIC PDU |
|----------------|-----------|------------|-----------|

BASIC DIMENSIONS

* Power cord FRLS 16.0 Sq.mm 5 core 3.0 mtr with rewirable 63A industrial plug IP44 (3P+N+E)
* Vertical PDU Rack Mounting.



* General tolerance : +/- 2.0 mm

| | | | | | | | | | | |
|----------------|-----|-----|-----------|--|---------|------------|-------|----------------|-----|--|
| | | | | | | | APP | 21.12.24 | JDP |  <p>Plot E-4, Kagal Five Star MIDC, Kagal, Kolhapur, MH - 416236, India Elcom International Pvt. Ltd.</p> |
| | | | | | | | CHK | 21.12.24 | PHB | |
| | | | | | | | DRN | 21.12.24 | DMD | |
| REV | IS | WAS | DATE | SIGN | APP. | BY | DATE | SIGN | | |
| UNSP.TOLERANCE | | | DIMNS. IN | WT(Gm) | SCALE:- | PROJECTION | SHEET | DRAWING NUMBER | | |
| OVER | - | 1 | 10 | mm | Max. | NTS. | | | | REVISION |
| UP TO | 1 | 10 | - | Powder coating : Ral 9005 Texture(Black) | | | | | | |
| ± | 0.2 | 0.3 | 0.5 | | | | | | | D0 |

F:ENG-08.00

Note: Technical specifications are subject to change without prior notice

Copyright © 2024 by Elcom International Pvt.Ltd, India. All rights reserved